

WAE SERIES Commercial Lighting

CCT ADJUSTABLE LED ECONOMY WRAP-AROUND FIXTURES WITH SENSOR
WAE-2FT-MCT-DD

MCT Multi Color Temperature (Selectable)

WESTGATE
THE FUTURE IS HERE...AND IT'S QUITE BRIGHT!

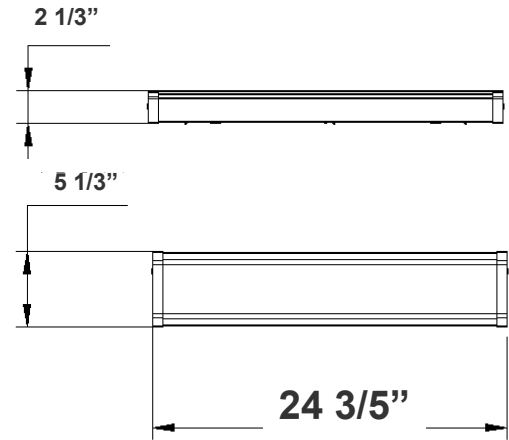


Customer Name: _____

Project Name: _____

Note: _____

Type: _____



24 3/5"(L) x 5 1/3"(W) x 21/3"(H)

LED Economy Wrap-around fixtures are ideal for a variety of industrial, commercial and residential applications.

Features

- Housing: Die-formed Cold Rolled Steel With Powder Coated White
- Installation: Ceiling-Mounted
- Lens: Polycarbonate Lens
- MCT: Multi Color Temperature (Selectable Switch Inside Fixture)

Technical Specifications

Electrical:

- Voltage: 120-277V AC 60Hz
- Wattage: 20W
- Power Factor: >0.99
- Efficacy: 80 LPW

Mechanical:

- White Finish
- Housing: Die-formed Cold Rolled Steel With Powder Coated White
- Installation: Ceiling-Mounted
- Operating temperature: -22°F~104°F
- 5-Year Warranty

Sensor Spec:

- Detection Range: 17Ft. / 360°
- Mounting Height: 25Ft. Max.
- DIP Settings switch on The Sensor
- Optional Remote Control (WEC-3RC)

Lighting:

- Dimming: (Dual Function) Triac Dimmable at 120V & 0-10V Dimming at 120-277V
- Lens: Polycarbonate Lens
- Total Lumens: 1600LM
- Color Temperatures: 3000K/4000K/5000K
- Multi-CCT (Selectable switch inside fixture)
- Color Rendering Index: CRI ≥ 82
- Life Span: 50,000 hrs.

Applications:

- Ideal for a Variety of Industrial, Commercial and Residential Applications.

Other Models:

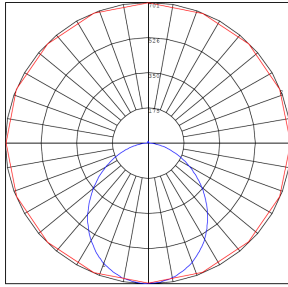
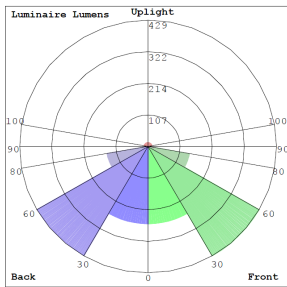
- 40W | 3200LM | WAE-4FT-MCT-DD-SEN



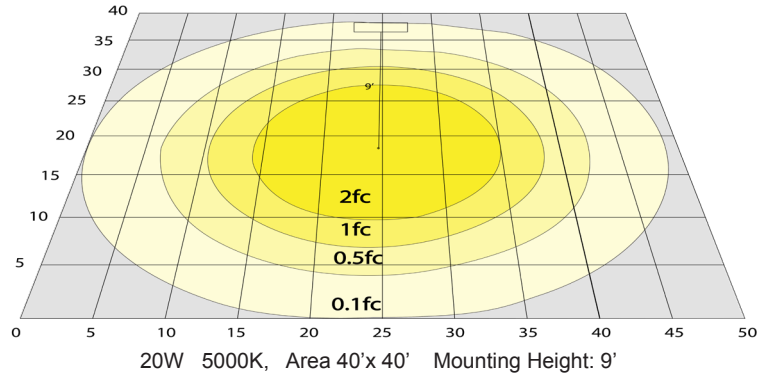
Phone: (877) 805-2252 | Fax: (877) 805-2252
www.westgatemfg.com



Photometrics: WAE-2FT-MCT-DD-SEN



BUD Rating: B1-U2-G1



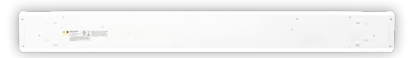
Other Views:



Side View



Front View



Back View

Performance Table: WAE-2FT-MCT-DD-SEN

| MODEL NO. | Wattage | Voltage | Lumens | Color Temp. | BUG Rating | LPW |
|--------------------|---------|----------|--------|-------------------------|------------|-----|
| WAE-2FT-MCT-DD-SEN | 20W | 120~277V | 1600LM | 3000K 4000K 5000K | B1-U3-G1 | 80 |

Sample Ordering

| Model | Size | Color Temp. | Dimming | Sensor |
|-------|------|-------------|---------|--------|
| WAE | 2FT | MCT | DD | SEN |

Accessories:

Blank = No Option For Accessories

SCL-CSY1-6FT= ADJ. 6FT 1/16in SINGLE SUSPENSION 5in CANOPY SET WITH Y DOUBLE KEYHOLE END CONNECTORS, NONPOWER SIDE

SCL-CSY1P-6FT = ADJ. 6FT 1/16in SINGLE SUSPENSION 5in CANOPY SET WITH Y DOUBLE KEYHOLE END CONNECTORS, POWER SIDE WITH SJTW18/5 WHITE CORD

WEC-3RC = Remote Control For Motion Sensors (For Sensor Fixtures)

ACCESSORIES:



SCL-CSY1-6FT SCL-CSY1P-6FT



WEC-3RC

